

Stockton Council

---

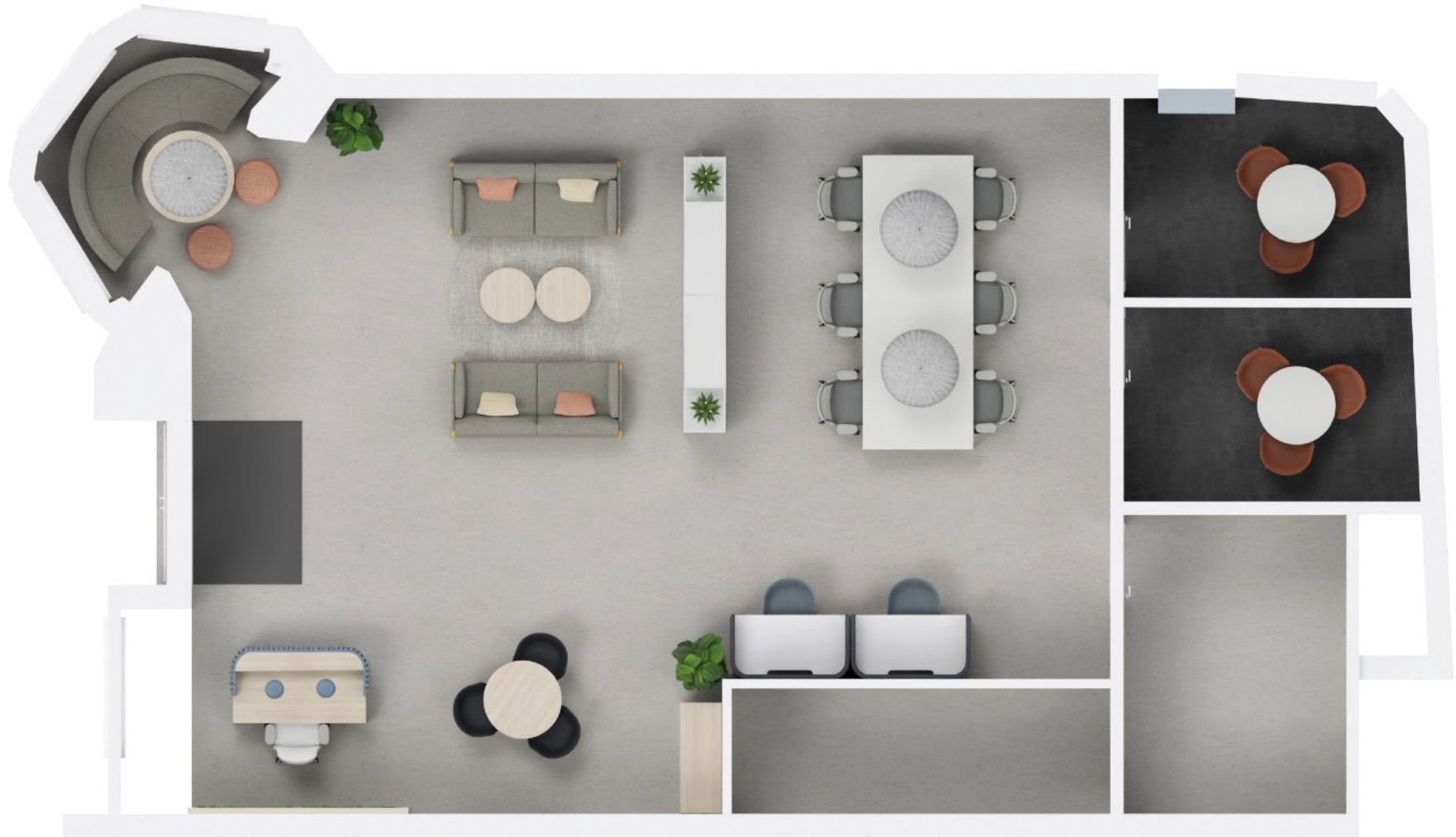
# Training Hub

---

Final Design Document



Ground Floor Plan









First Floor Plan



First Floor Axo



First Floor Plaza





First Floor Training Room



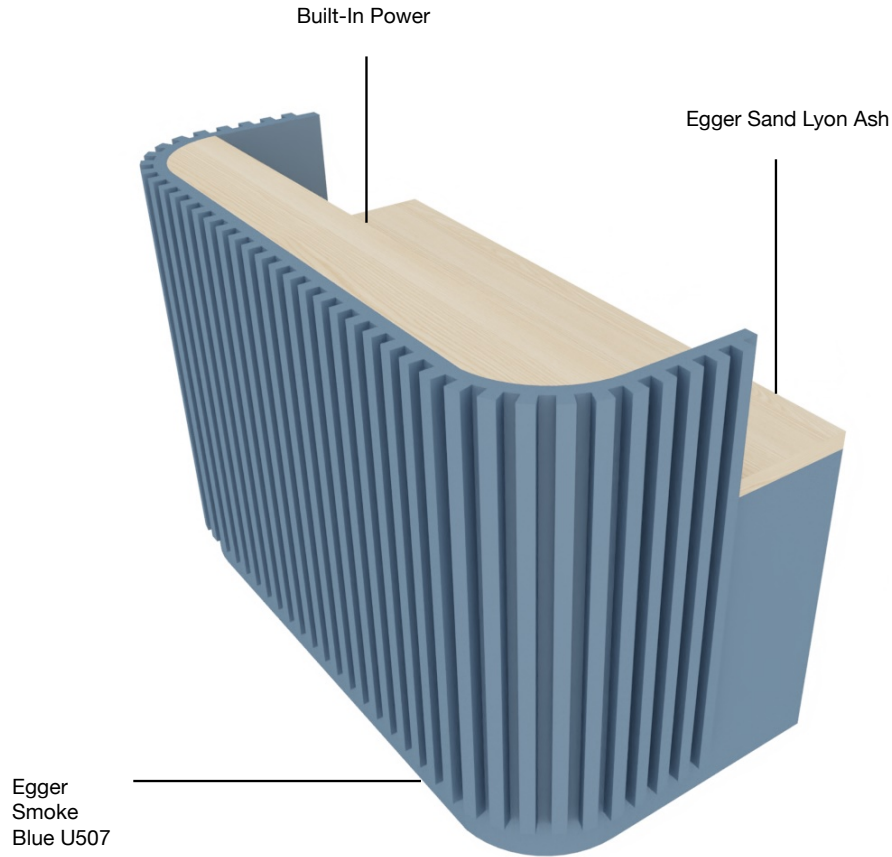


## First Floor Staff

1. Camira Phoenix Blizzard
2. Camira Craggan Flax CRA21
3. Kvadrat Clara 2 248
4. Kvadrat Melange Nap 791
5. Buzzispace TRCS Light Blue
6. Camira Synergy LDS74
7. Kvadrat Melange Nap 111
8. Light Ash
9. Kvadrat Remix 733
10. Kvadrat Remix 873
11. Kvadrat Remix 452
12. Foothill Moss Mid Green



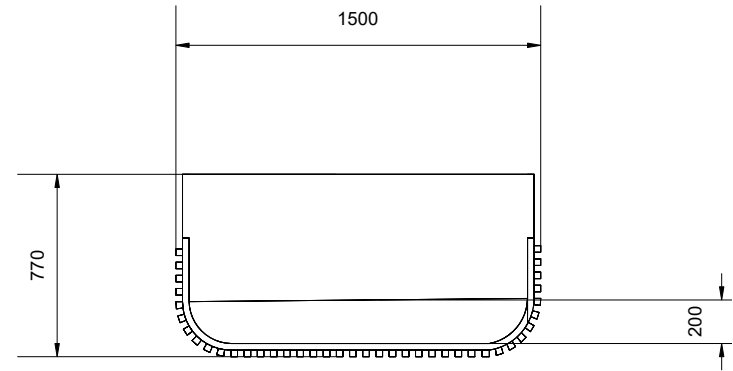
# GF Reception Desk



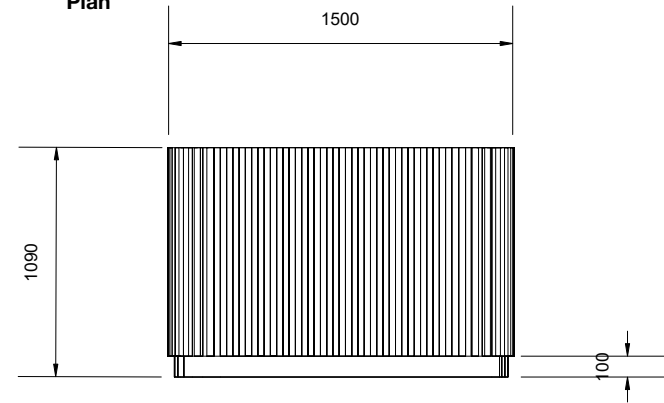
Egger Smoke  
Blue U507 ST9



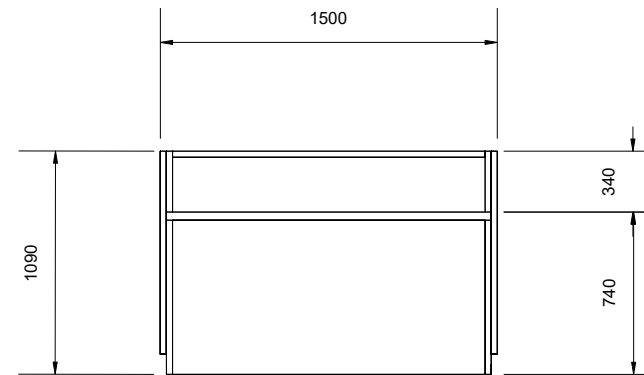
Egger Sand Lyon Ash  
H1298 ST22



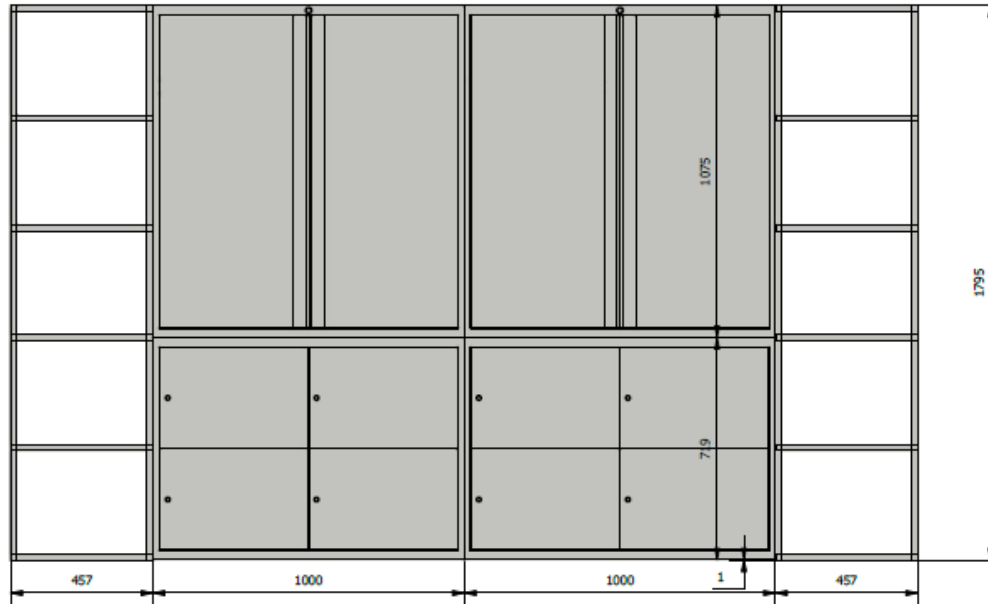
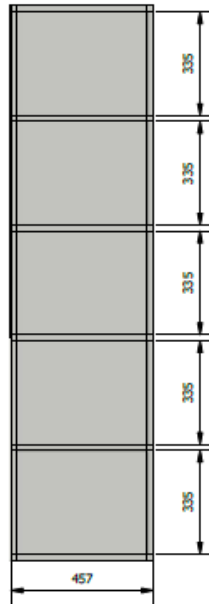
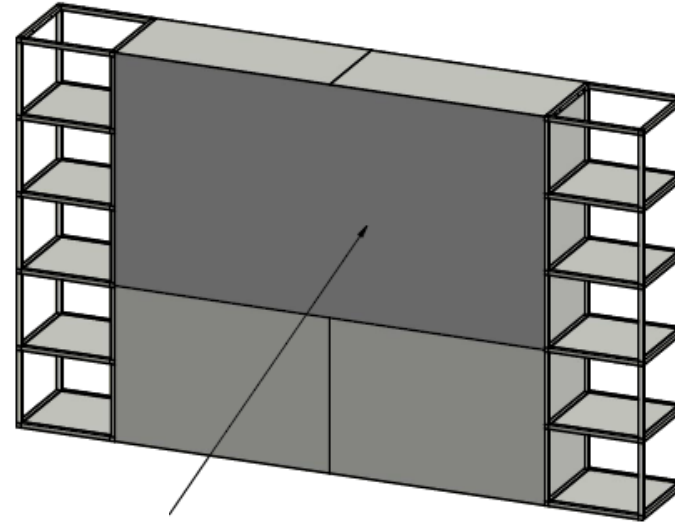
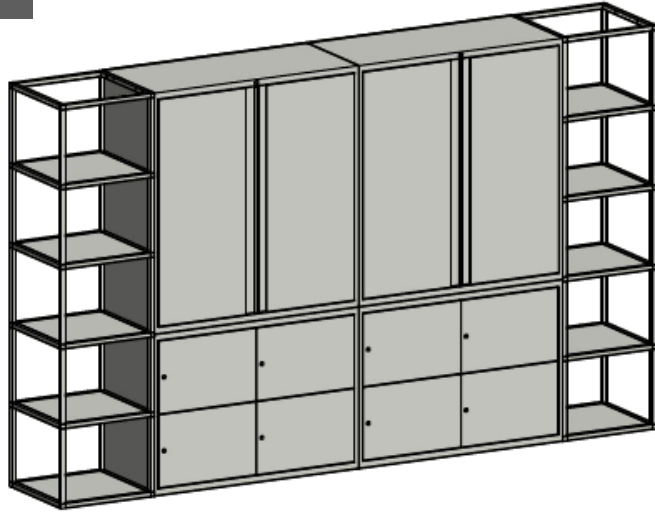
Plan



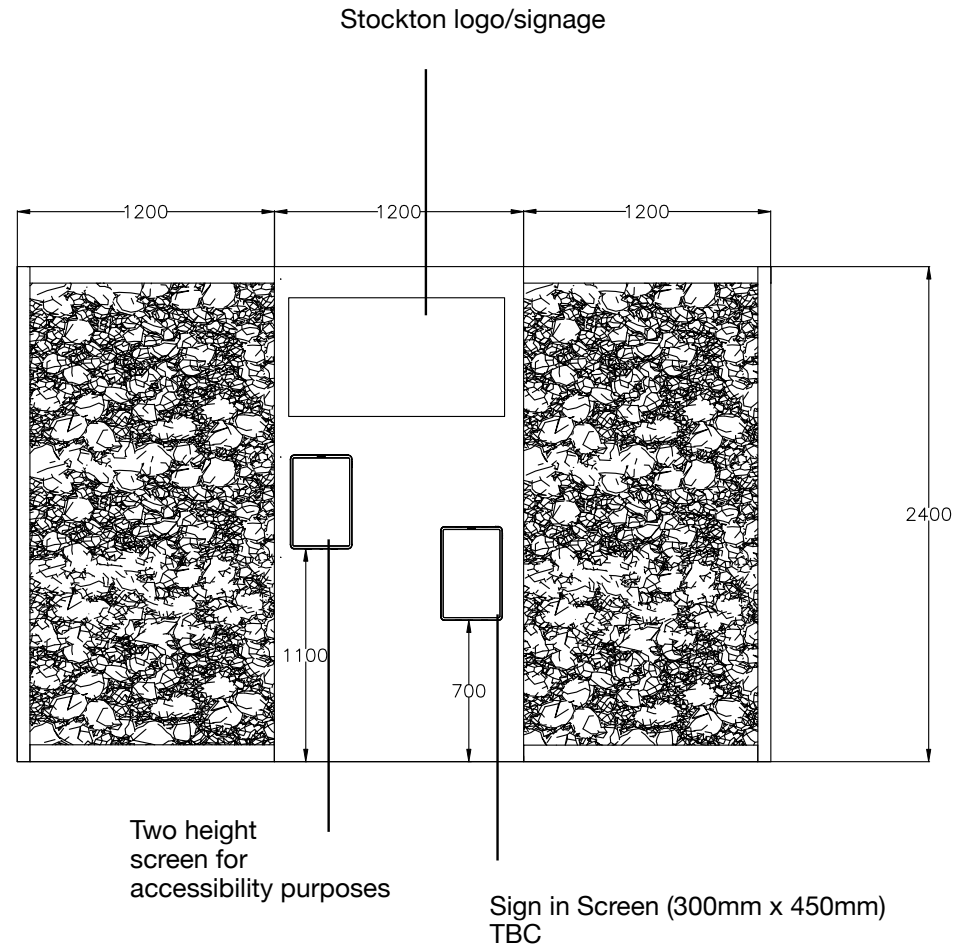
Front Elevation



Back Elevation



FF Moss & Partition

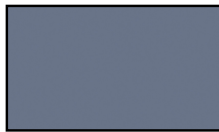
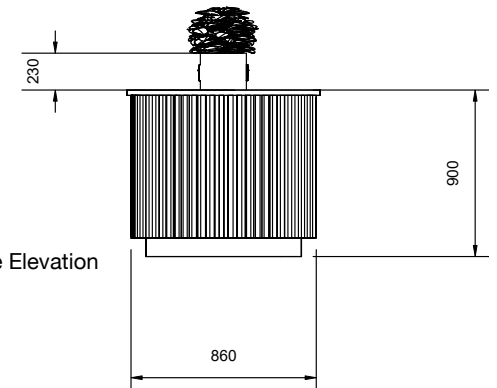
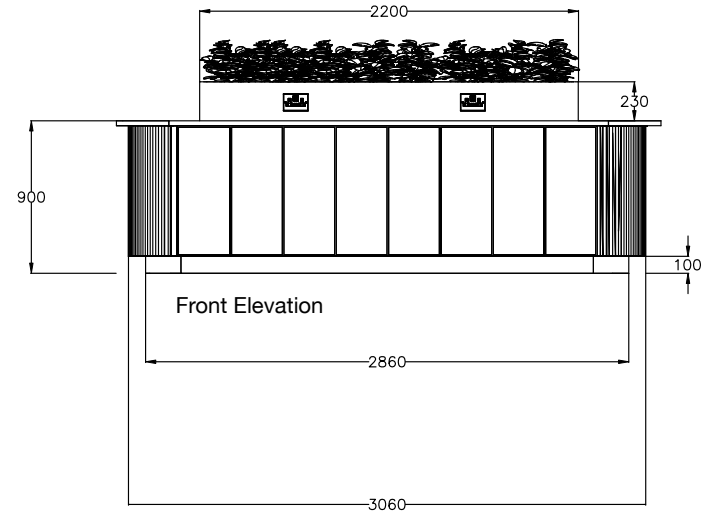
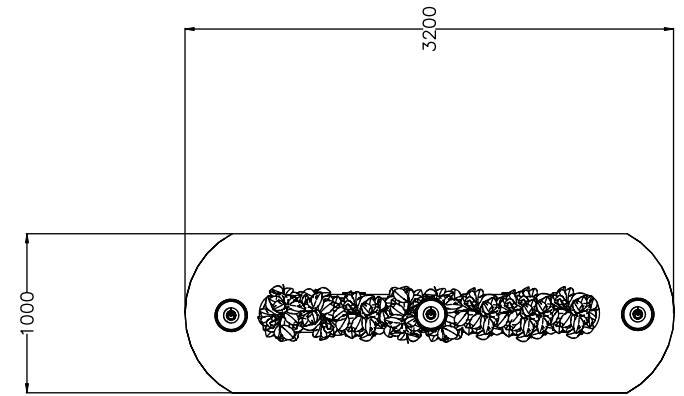
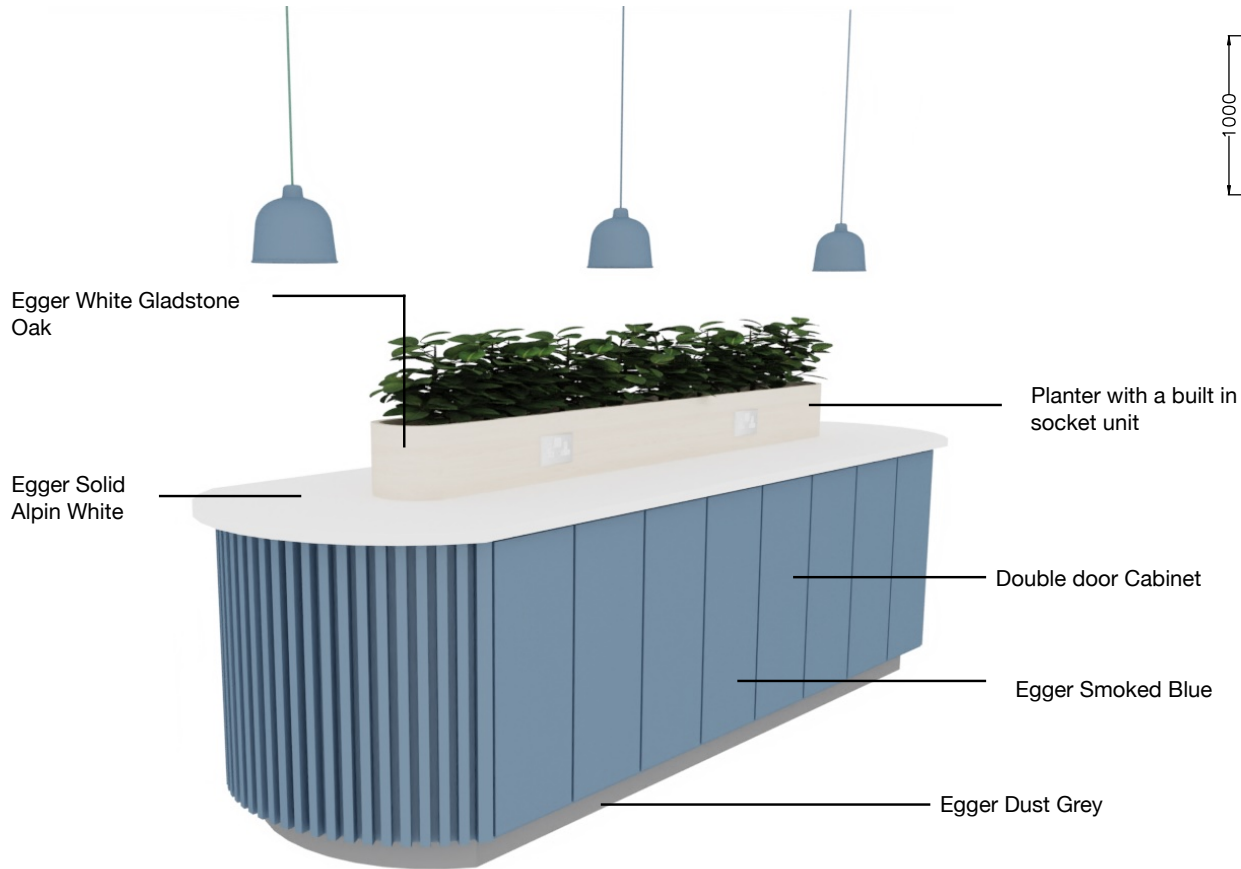


Egger  
Champagne Hard  
Maple H3860  
ST9. To match the  
timber



Innerspace NatureMoss  
Foothill - Mid Green

FF Tea Point



Egger Smoke Blue U507 ST9



Egger Solid Alpin White W1101 PT



Egger Sand Lyon Ash H1298 ST22



Egger Dust Grey U732 PT

# Contact Us

Tel: 0191 232 7929

[www.workpattern.co.uk](http://www.workpattern.co.uk)

Workpattern, Brandling Street, Gateshead, NE8  
2BA

## Project Team



**Paul Glaister**  
Dealer Principle



**Balin Wheatman**  
Key Account Manager



**Helen Henshaw**  
Sales Administrator



**Hannah Naylor-Skeats**  
Designer &  
Living Office Specialist



**Stephen Hodge**  
Designer &  
Living Office Specialist

